

Replacement Parts List

Notes: *Important safety notice:

 Components identified by Δ mark have special characteristics important for safety.

Furthermore, special parts which have purposes of fire-retardant (resistors), high-quality sound (capacitors), low-noise (resistors), etc. are used.

When replacing any of components, be sure to use only manufacture's specified parts shown in the parts list.

*The parenthesized indications in the Remarks columns specify the areas. (Refer to the cover page for area.)

Parts without these indications can be used for all areas.

*Remote Control Ass'y: Supply period for three years from termination of production.

*The "(SF)" mark denotes the standard part.

*<VRD>: indicates parts that are supplied by Video Recorder Division.

Ref. No.	Part No.	Part Name & Description	Remarks	Ref. No.	Part No.	Part Name & Description	Remarks
		INTEGRATED CIRCUIT (S)		D751-754	1SR35200TB	DIODE	Δ
IC401	NJU7312AL	I. C, INPUT SELECTOR		D755	MA165	DIODE	
IC402	M5218AP	I. C, BUFFER AMP.		D756	MA4068L	DIODE	Δ
IC451	AN6558F	I. C, PHONO EQ AMP.		D757	MA165	DIODE	Δ
IC471	UPC4570C	I. C, TONE AMP.		D758	MA4051MTA	DIODE	Δ
IC601	RSN3306A	I. C, POWER AMP.	Δ	D759	MA165	DIODE	
IC801	M37470M242S	I. C, MICRO COMPUTER		D801-806	MA165	DIODE	
IC851	BA6218	I. C, MOTOR DRIVE		D807	1SS291TA	DIODE	
		TRANSISTOR (S)		D808	MA165	DIODE	
Q505, 506	2SC3327-A	TRANSISTOR		D809-813	LN018304P	L. E. D.	
Q601-607	2SC3311A1RTA	TRANSISTOR		D814	LN014304P	L. E. D.	
Q651, 652	2SA1309A1RTA	TRANSISTOR		D815	MA165	DIODE	
Q653	2SB621AQSTA	TRANSISTOR	Δ	D816-819	LN018304P	L. E. D.	
Q654-656	2SA1309A1RTA	TRANSISTOR		D820	MA165	DIODE	
Q701	2SD2374PQAU	TRANSISTOR	Δ	D821	1SS291TA	DIODE	
Q706	2SD2037EFTA	TRANSISTOR	Δ	D822-824	MA165	DIODE	
Q707	2SB1548PQAU	TRANSISTOR	Δ			VARIABLE RESISTOR (S)	
Q751	UN421FTA	TRANSISTOR		VR471	EVJYA1F04C15	V. R, BASS	
Q752	2SC3940AQSTA	TRANSISTOR	Δ	VR472	EVJYA1F04C15	V. R, TREBLE	
Q801	UN4211	TRANSISTOR		VR501	EUWVG2020B15	V. R, VOLUME	
Q802	2SA1309A-R	TRANSISTOR		VR502	EVJ02QF04G15	V. R, BALANCE	
Q803	UN4211	TRANSISTOR				COMPONENT COMBINATION (S)	
Q804-809	UN4111	TRANSISTOR		Z751	ERZV10V511CS	SURGE ABSORBER	Δ
Q810	UN4211	TRANSISTOR		Z891	RCDHC-237	REMOTE SENSOR	
Q812	UN4211	TRANSISTOR				COIL (S)	
Q813, 814	UN4111	TRANSISTOR		L591, 592	ELESN101KA	COIL	
Q815	2SA1309A1RTA	TRANSISTOR		L601, 602	SLQY07G-40	COIL	
		DIODE (S)		L701	SLQZ650MH49	COIL	Δ (E, EB, EG, GN)
D601-603	MA165	DIODE		L751	ELESN101KA	COIL	
D604	MA700	DIODE		L801	ELEXT101KA9	COIL	
D605, 606	SB360L6508	DIODE				TRANSFORMER (S)	
D609, 610	MA165	DIODE		T701	RTP1N5E022-W	POWER TRANSFORMER (MAIN)	Δ (E, EG)
D651	MA165	DIODE		T701	RTP1N5B020-W	POWER TRANSFORMER (MAIN)	Δ (EB, GN)
D652	MA4056MTA	DIODE		T701	RTP1N5E023-W	POWER TRANSFORMER (MAIN)	Δ (GC)
D653	MA165	DIODE		T751	RTP115E003-V	POWER TRANSFORMER (SUB)	Δ (E, EB, EG, GN)
D701-704	P300DLF	DIODE	Δ	T751	RTP115E005-V	POWER TRANSFORMER (SUB)	Δ (GC)
D707	MA4068L	DIODE	Δ			OSCILLATOR (S)	
D708	MA4150M	DIODE	Δ				
D710	MA4150M	DIODE	Δ				
D721-724	P300DLF	DIODE	Δ				

Ref. No.	Part No.	Part Name & Description	Remarks	Ref. No.	Part No.	Part Name & Description	Remarks
X801	EFOEC4004T4	OSCILLATOR(4 MHz)		RL601-603	RSY0013M-0	RELAY	△
		FUSE (S)		RL751	RSY0019M-0	RELAY	△
F1	XBA2C25TB0	FUSE, 250V, T2. 5A	△ (E, EB, EG, GN)			JACK(S)	
F1	XBA2C50TB0	FUSE, 250V, T5A	△ (GC)	JK401-404	SJF3069N	PHONO, TUNER, etc TERMINAL	
F2	XBA2C25TB0	FUSE, 250V, T2. 5A	△ (GC)	JK406	RJJ33TR01	REMOTE CONT. OUT	
F3, 4	XBA2C63TB0	FUSE, 250V, T6. 3A	△	JK601	RJJ63TA01	HEADPHONES	
		SWITCH(ES)		JK603	RJH4801M-1	SP TERMINAL	
S401	ESB68047	SW, TONE ON/DEFEAT		JK651	RJS1A7002-1	FAN MOTOR	
S701	ESD26840A	SW, VOLTAGE ADJ	△ (GC)	JK791	SJS9236	AC INLET	△ (E, EB, EG)
S801	EVQ21405R	SW, PHONO		JK791	SJS9231-1B	AC INLET	△ (GC)
S802	EVQ21405R	SW, TUNER		JK791	SJSD16	AC INLET	△ (GN)
S803	EVQ21405R	SW, CD					
S804	EVQ21405R	SW, AUX					
S805	EVQ21405R	SW, TAPE2/DCC					
S806	EVQ21405R	SW, TAPE1 MONITOR					
S807	EVQ21405R	SW, POWER					
S808	EVQ21405R	SW, SPEAKERS (A)					
S809	EVQ21405R	SW, SPEAKERS (B)					
		CONNECTOR (S)					
CN601	RJU057W007	CONNECTOR (7P)					
CN710-714	RJS1A1101T1	CONNECTOR (1P)					
CN751	SJS305-1	CONNECTOR (3P)	(E, EB, EG, GN)				
CN751	SJS702-2	CONNECTOR (7P)	(GC)				
CN901-905	RJU003K008M1	CONNECTOR (8P)					
CN906	SJS50782JQH	CONNECTOR (7P)					
CN701A	RJS1A6606	CONNECTOR (6P)					
CN701B	RJS1A6606	CONNECTOR (6P)					
CP601	RJT057W007-1	CONNECTOR (7P)					
CP901-905	RJT003K008-1	CONNECTOR (8P)					
CP906	SJT30745JQ	CONNECTOR (7P)					
		GND PLATE (S)					
E401	RSC0377	GND PLATE					
E451	SNE1004-2	GND PLATE					
E501	RSC0377	GND PLATE					
E601, 602	SNE1004-2	GND PLATE					
		FUSE HOLDER (S)					
FC701, 702	EYF52BC	FUSE HOLDER					
FC703, 704	EYF52BC	FUSE HOLDER	(GC)				
FC705-708	EYF52BC	FUSE HOLDER					
		RELAY(S)					

Notes : * Capacity values are in microfarads (μF) unless specified otherwise, P=Pico-farads (pF) F=Farads (F)
 * Resistance values are in ohms, unless specified otherwise, 1K=1,000(OHM) , 1M=1,000k(OHM)

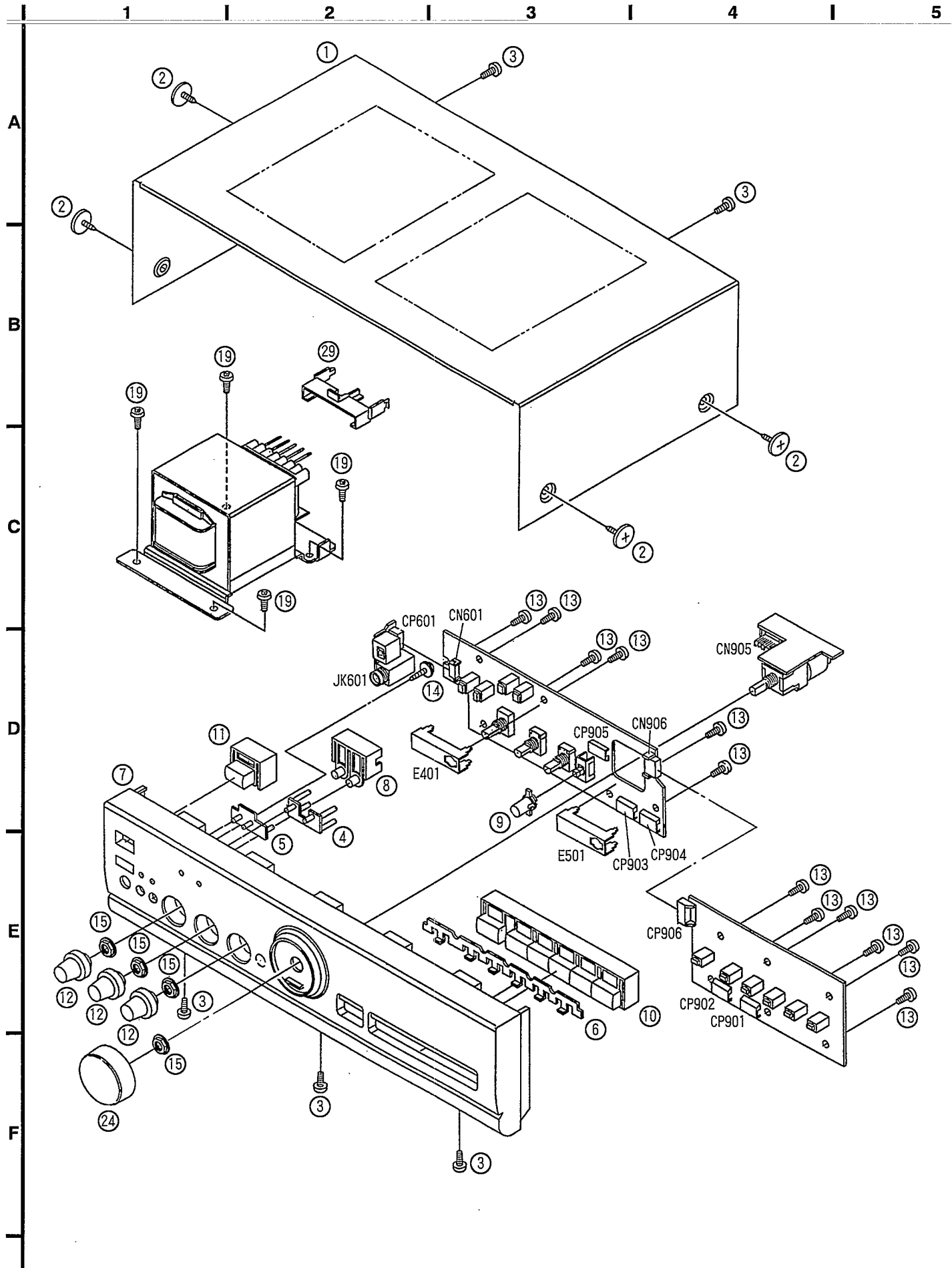
Ref. No.	Part No.	Values & Remarks	Ref. No.	Part No.	Values & Remarks	Ref. No.	Part No.	Values & Remarks
		RESISTORS	R624	ERDS2TJ224T	1/4W 220K	R822	ERDS2TJ821	1/4W 820
R401, 402	ERDS2TJ102	1/4W 1K	R625 Δ	ERD25FJ220	1/4W 22	R823	ERDS2TJ102	1/4W 1K
R405-416	ERDS2TJ102	1/4W 1K	R626	ERDS2TJ473	1/4W 47K	R825	ERDS2TJ473	1/4W 47K
R417, 418	ERDS2TJ473	1/4W 47K	R627, 628	ERG1SJ181E	1W 180	R826	ERDS2TJ181T	1/4W 180
R419, 420	ERDS2TJ104	1/4W 100K	R629, 630	ERG1SJ151E	1W 150	R827	ERDS2TJ331	1/4W 330
R421-424	ERDS2TJ102	1/4W 1K	R631	ERDS2TJ182	1/4W 1.8K	R828	ERDS2TJ102	1/4W 1K
R425-427	ERDS2TJ103	1/4W 10K	R632-634	ERDS2TJ472	1/4W 4.7K			CAPACITORS
R429, 430	ERDS2TJ104	1/4W 100K	R635-638	ERDS2TJ103	1/4W 10K			
R449, 450	ERDS2EJ121	1/4W 120	R639, 640	ERDS2TJ474	1/4W 470K	C401	ECEA1VKA4R7B	35V 4.7U
R451, 452	ERDS2TJ224T	1/4W 220K	R641, 642	ERDS2TJ221	1/4W 220	C402, 403	ECBT1E103ZF	25V 0.01U
R453, 454	ERDS2TJ102	1/4W 1K	R643, 644	ERDS2TJ154	1/4W 150K	C404	ECEA1VKA4R7B	35V 4.7U
R455, 456	ERDS2TJ563	1/4W 56K	R645, 646 Δ	ERDS1FVJ470T	1/2W 47	C405	ECBT1H101KB5	50V 100P
R457, 458	ERDS2TJ271	1/4W 270	R647	ERDS2TJ682T	1/4W 6.8K	C407-422	ECBT1H101KB5	50V 100P
R459, 460	ERDS2TJ680T	1/4W 68	R648-650 Δ	ERD25FVJ391T	1/4W 390	C423, 424	RCE1CKA220BG	16V 22U
R461, 462	ERDS2TJ184T	1/4W 180K	R651	ERDS2TJ103	1/4W 10K	C425, 426	ECBT1E103ZF	25V 0.01U
R463, 464	ERDS2TJ123	1/4W 12K	R671-674	ERDS2TJ223	1/4W 22K	C427-430	RCE1CKA100BG	16V 10U
R465, 466	ERDS2TJ563	1/4W 56K	R675	ERDS2TJ682T	1/4W 6.8K	C451, 452	ECEA1VKA4R7B	35V 4.7U
R467, 468	ERDS2TJ102	1/4W 1K	R681	ERDS2TJ332	1/4W 3.3K	C455, 456	ECBT1H102KB5	50V 1000P
R475, 476	ERDS2TJ471	1/4W 470	R683	ERDS2TJ103	1/4W 10K	C457, 458	RCE1AKA330BG	10V 33U
R477, 478	ERDS2TJ104	1/4W 100K	R684	ERDS2TJ153	1/4W 15K	C459, 460	ECQB1H223JF3	50V 0.022U
R479, 480	ERDS2TJ474	1/4W 470K	R685, 686	ERDS2TJ333	1/4W 33K	C461, 462	ECQB1H682JF3	50V 6800P
R485, 486	ERDS2TJ223	1/4W 22K	R687	ERDS2TJ103	1/4W 10K	C463, 464	ECEA1VKA4R7B	35V 4.7U
R487-490	ERDS2TJ392T	1/4W 3.9K	R688	ERDS2TJ222	1/4W 2.2K	C465, 466	ECBT1E103ZF	25V 0.01U
R491, 492	ERDS2TJ102	1/4W 1K	R689	ERDS2TJ270T	1/4W 27	C467, 468	ECBT1H181KB5	50V 180P
R493, 494	ERDS2TJ563	1/4W 56K	R690	ERDS2TJ223	1/4W 22K	C471, 472	RCE1HKA3R3BG	50V 3.3U
R495, 496	ERDS2TJ223	1/4W 22K	R691	ERDS2TJ104	1/4W 100K	C475, 476	ECBT1H101KB5	50V 100P
R497, 498	ERDS2TJ392T	1/4W 3.9K	R692	ERDS2TJ103	1/4W 10K	C477, 478	ECBT1H221KB5	50V 220P
R501, 502	ERDS2TJ222	1/4W 2.2K	R693	ERDS2TJ223	1/4W 22K	C479, 480	ECBT1H560J5	50V 56P
R509, 510	ERDS2TJ222	1/4W 2.2K	R694	ERDS2TJ335T	1/4W 3.3M	C481-484	ECEA1VKA4R7B	35V 4.7U
R525, 526	ERDS2TJ102	1/4W 1K	R701-703 Δ	ERD25FJ6R8	1/4W 6.8	C485, 486	ECFR1E123KR	25V 0.012U
R528	ERDS2TJ394	1/4W 390K	R704	ERDS2TJ562	1/4W 5.6K	C487, 488	ECQV1H683JM3	50V 0.068U
R532	ERDS2TJ103	1/4W 10K	R705, 706	ERDS2TJ392T	1/4W 3.9K	C489, 490	ECQB1H392JF3	50V 3900P
R535, 536	ERDS2TJ103	1/4W 10K	R751	ERDS2TJ153	1/4W 15K	C491, 492	ECFR1E273KR	25V 0.027U
R591 Δ	ERDS1FVJ100T	1/2W 10	R754	ERDS2TJ562	1/4W 5.6K	C495, 496	ECBT1E103ZF	25V 0.01U
R601, 602	ERDS2TJ221	1/4W 220	R801	ERDS2TJ103	1/4W 10K	C518	ECBT1E103ZF	25V 0.01U
R603, 604	ERDS2TJ563	1/4W 56K	R803	ERDS2TJ103	1/4W 10K	C561, 562	ECBT1H102KB5	50V 1000P
R605, 606	ERDS2TJ182	1/4W 1.8K	R804	ERDS2TJ102	1/4W 1K	C591, 592	RCE0JKA101BV	6.3V 100U
R607, 608	ERDS2TJ563	1/4W 56K	R805, 806	ERDS2TJ103	1/4W 10K	C593, 594	ECEA1AKA220B	10V 22U
R609, 610	ERDS2TJ100	1/4W 10	R807	ERDS2TJ104	1/4W 100K	C601, 602	ECEA1EKN2R2B	25V 2.2U
R611, 612 Δ	ERDS1FVJ8R2T	1/2W 8.2	R808-810	ERDS2TJ103	1/4W 10K	C603, 604	ECBT1H561KB5	50V 560P
R613, 614	ERDS2TJ102	1/4W 1K	R811	ERDS2TJ821	1/4W 820	C605, 606	RCE1JM330BV	63V 33U
R615	ERDS2TJ184T	1/4W 180K	R812	ERDS2TJ102	1/4W 1K	C607, 608	ECCR1H100K5	50V 10P
R616	ERDS2TJ154	1/4W 150K	R813	ERDS2TJ122	1/4W 1.2K	C609, 610	ECBT1H151KB5	50V 150P
R619	ERDS2TJ684	1/4W 680K	R814	ERDS2TJ152	1/4W 1.5K	C611, 612	ECQV1H473JM3	50V 0.047U
R620	ERDS2TJ473	1/4W 47K	R815	ERDS2TJ182	1/4W 1.8K	C613, 614	ECBA1H681KB5	50V 680P
R621, 622 Δ	ERD25FVJ180T	1/4W 18	R816	ERDS2TJ473	1/4W 47K	C615	ECEA2AN2R2SB	100V 2.2U
R623	ERDS2TJ684	1/4W 680K	R817	ERDS2TJ221	1/4W 220	C616	ECEA1JU220	63V 22U
			R818-820	ERDS2TJ561	1/4W 560	C617	RCE1HM470BV	50V 47U
			R821	ERDS2TJ223	1/4W 22K			

Ref. No.	Part No.	Values & Remarks				
C618	ECEA2AU100	100V 10U				
C621	ECEA2AU100	100V 10U				
C623-626	ECQB1H223JF3	50V 0.022U				
C651	ECEA1HKA2R2B	50V 2.2U				
C652	RCE1CKA100BG	16V 10U				
C653	ECBT1E223ZF	25V 0.022U				
C655	RCE0JKA221BV	6.3V 220U				
C701	ECBT1E103ZF	25V 0.01U				
C702	ECQE2104KF3	250V 0.1U				
C703, 704△	ECE575V752UX	75V 7500U				
C705, 706△	ECA11M332E	50V 3300U				
C707	RCE1CKA470BG	16V 47U				
C708	ECKR1H103ZF5	50V 0.01U				
C709	RCE1CKA470BG	16V 47U				
C710, 711	ECKR1H103ZF5	50V 0.01U				
C712	ECEA1EKA220B	25V 22U				
C713	ECBT1E103ZF	25V 0.01U				
C714	ECEA1EKA220B	25V 22U				
C716	ECEA1EKA220B	25V 22U				
C720	ECEA1EKA220B	25V 22U				
C722	ECQE2104KF3	250V 0.1U				
C751 △	ECKWNS102MBM	400V 1000P				
C752	ECKR1H103ZF5	50V 0.01U				
C753 △	ECA1EM102B	25V 1000U				
C754	ECBT1E103ZF	25V 0.01U				
C756	ECBT1E103ZF	25V 0.01U				
C757	RCE1CKA470BG	16V 47U				
C760	RCE1AKA101BG	10V 100U				
C761	ECEA1EKA220B	25V 22U				
C801	ECBT1C103NS5	16V 0.01U				
C802	ECQB1H103JF3	50V 0.01U				
C803	ECBT1C103NS5	16V 0.01U				
C804	RCE0JM102BV	6.3V 1000U				
C805	RCE1HKAR47BG	50V 0.47U				
C806	ECEA1HKA2R2B	50V 2.2U				
C891	ECFR1E392KR	25V 3900P				

Note: The reference number SA represent the grease and tool used for this unit.

Ref. No.	Part No.	Part Name & Description	Remarks	Ref. No.	Part No.	Part Name & Description	Remarks
		CABINET PARTS				PACKING MATERIALS	
1	RKM0036E-K	CABINET		P1	RPG2636	PACKING CASE	(E, EG, GC, GN)
2	SNE2129-3	SCREW		P1	RPG2637	PACKING CASE	(EB)
3	XTBS3+8JFZ1	SCREW		P2	RPM0684-2	PAD	
4	RGL0184A-Q1	LEADING LIGHT PANEL		P3	RPQ0164	PAD	
5	RGL0185A-Q	LEADING LIGHT PANEL		P4	SPP756	PROTECTION COVER	
6	RGL0229-Q	LEADING LIGHT PANEL		P5	RPF0139	PROTECTION COVER	
7	RFKGV620E-K	FRONT PANEL ASS' Y		P6	RPH0032	PROTECTION SHEET	(EB, GN)
8	RGU0887A-K1	BUTTON, SP				ACCESSORIES	
9	RGU0889-K	BUTTON, TONE					
10	RGU1038-1K	BUTTON, SELECTOR					
11	RGU1042-K	BUTTON, POWER		A1	RJA0019-2K	AC MAINS LEAD	△ (E, EG, GC) (SF)
12	RGW0177A-K	KNOB, TONE		A1	VJA0733	AC MAINS LEAD	△ (EB) <VRD> (SF)
13	RHD26017	SCREW		A1	RJA0036-K	AC MAINS LEAD	△ (GN)
14	RHD26018	SCREW		A2	RAK-SU129WH	REMOTE CONTROL TRANSMITTER	
15	RHN90001	NUT		A2-1	RKK0057-K	BATTERY COVER	
16	SHR9814	CLUMPER		A3	RQA0013	WARRANTY CARD	(E, EB, EG)
17	SNE2123	GND SCREW		A3	RQX7433ZA	WARRANTY CARD	(GN)
18	XTB3+20JFZ	SCREW		A4	RQC0169	SERVICE CENTER LIST	
19	XTB3+8JFZ	SCREW		A5	RFKSUV620E-K	INSTRUCTIONS MANUAL	(E)
20	XTWS3+8T	SCREW		A5	RQT3112-B	INSTRUCTIONS MANUAL	(EB, GN)
21	XTW3+15T	SCREW		A5	RQT3110-D	INSTRUCTIONS MANUAL	(EG)
22	REM0020-1	FAN ASS' Y		A5	RQT3151-G	INSTRUCTIONS MANUAL	(GC)
22-1	SHE232-1	FAN		A6	SJP5213-2	POWER PLUG ADAPTOR	△ (GC)
22-2	SJS271	SPRING				GREASE OR JIG/TOOL	
22-3	RMQ0209-K	FAN CASE					
22-4	MDN-4RB4MRC	MOTOR					
22-5	RMQ0208-K	FAN CAP		SA1	RFK0002	COMPOUND GREASE	
22-6	RMQ0212-K	TERMINAL CAP					
23	RGR0226A-B1	REAR PANEL	(E)				
23	RGR0226B-A1	REAR PANEL	(EB)				
23	RGR0226A-A1	REAR PANEL	(EG)				
23	RGR0226C-A	REAR PANEL	(GC)				
23	RGR0226A-C	REAR PANEL	(GN)				
24	RGW0201-K	KNOB, VOLUME					
25	RFKJAGX170PK	BOTTOM CHASSIS ASS' Y					
25-1	RKA0053-A	FOOT					
26	RKQ0089	SPACER					
27	RMCO158	ANGLE					
28	RMG0332-K	RUBBER					
29	RMNO191	SPACER					
30	RSCO105-2	SHIELD PLATE					
31	RWJ1808120KK	FLAT CABLE (8P)W702					
32	RWZ120UNW090	PROTECT TUBE					
33	RWJ1812430KQ	FLAT CABLE (12P)W701					
34	RMZ0339	SHIELD COVER					
35	SJS9231A	AC INLET COVER	(GC)				

Cabinet Parts Location



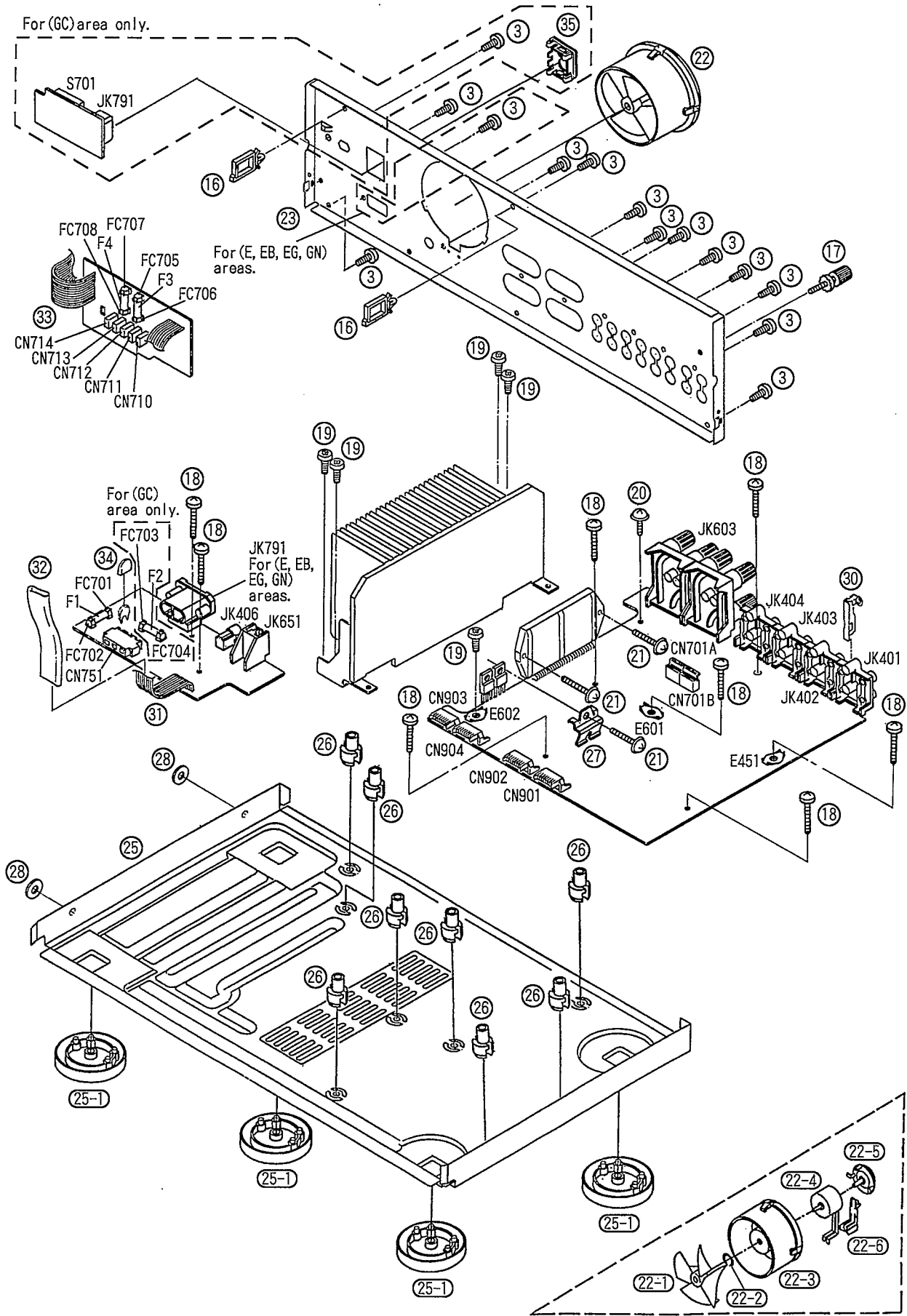
6

7

8

9

10



■ Packaging

1065

